



MBS GmbH

Made by Specialists

FUNCTION OF MBS GATEWAYS

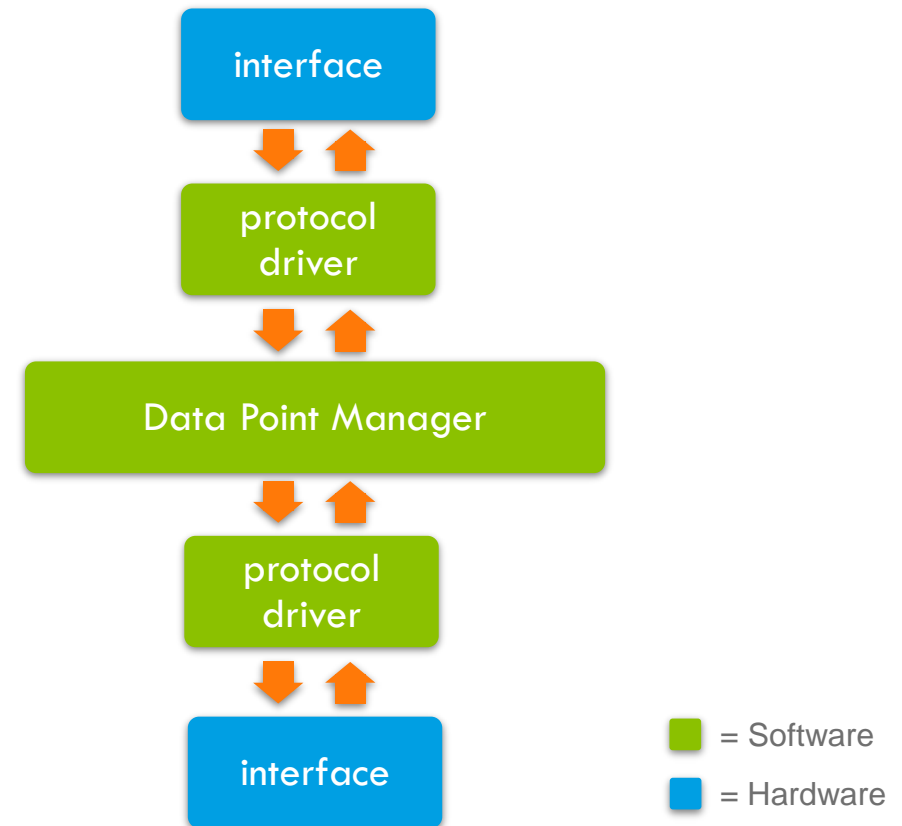
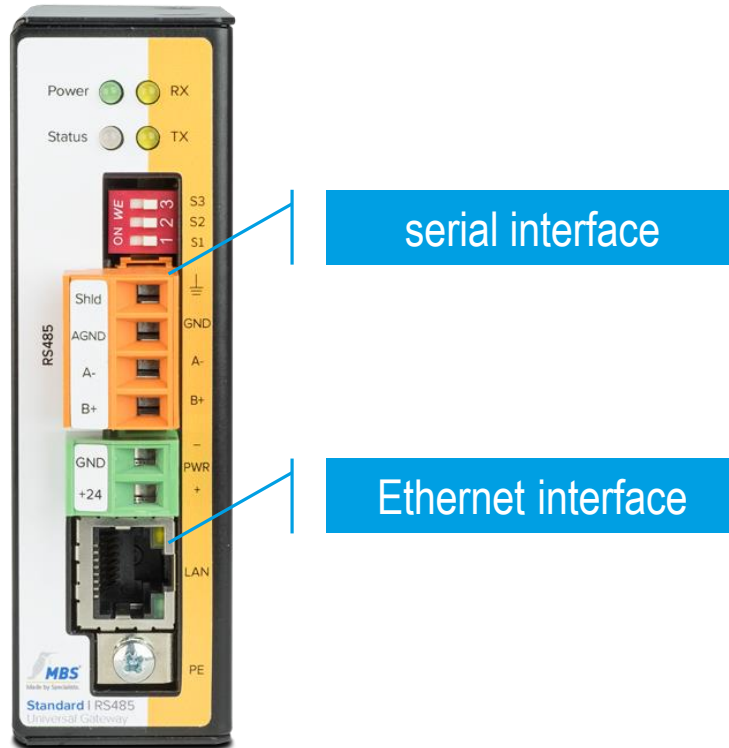
- Schematics Function
- Gateway Form Factors

FUNCTION OF MBS GATEWAYS

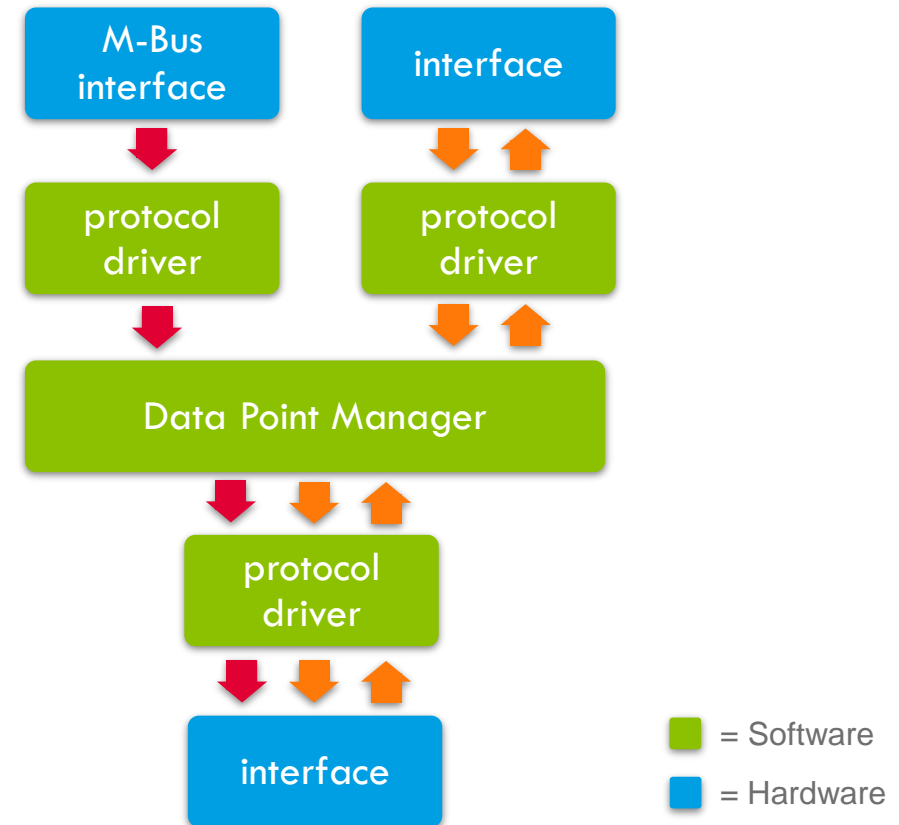
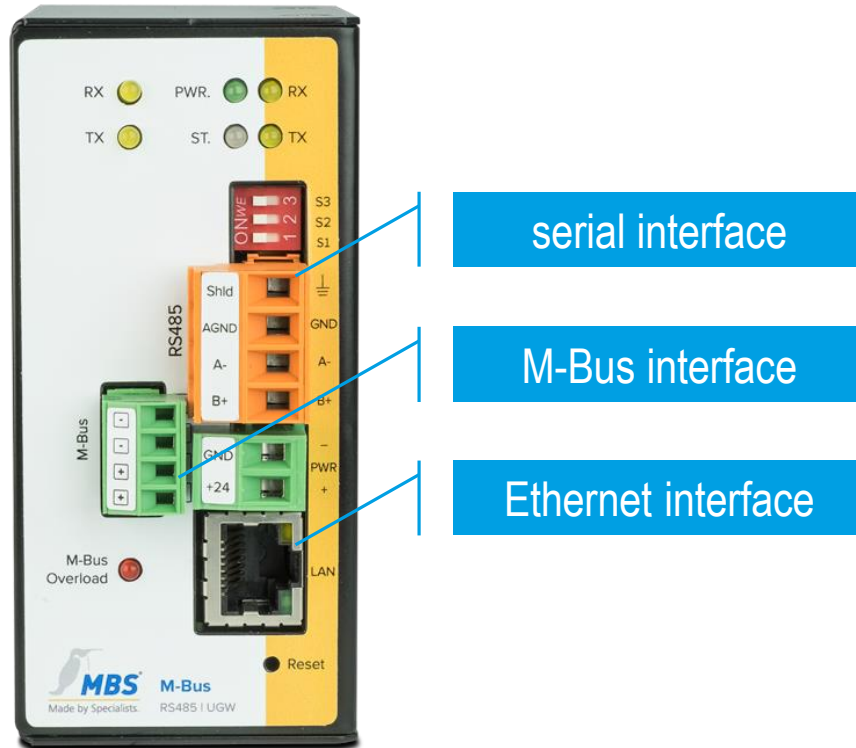
- Protocol drivers receive telegrams at the interfaces or dispatch telegrams at the interfaces
- The protocol driver forwards the values to the gateway's central software called „data point manager“
- This software forwards the values to the target protocol according to a mapping table

Developing one protocol driver for MBS gateways gives access to all existing protocol drivers.

FUNCTION OF MBS GATEWAYS



FUNCTION OF MBS GATEWAYS

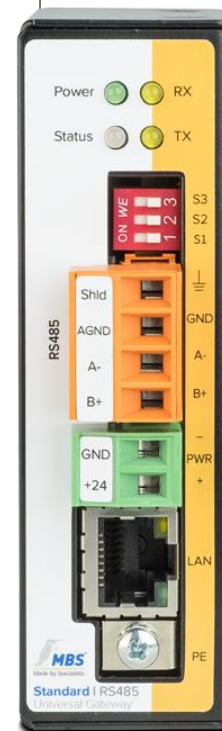


FUNCTION OF MBS GATEWAYS

Standard Gateway

Communication with serial protocols

BACnet MSTP
MODBUS RTU
SAIA S-Bus (serial)
...



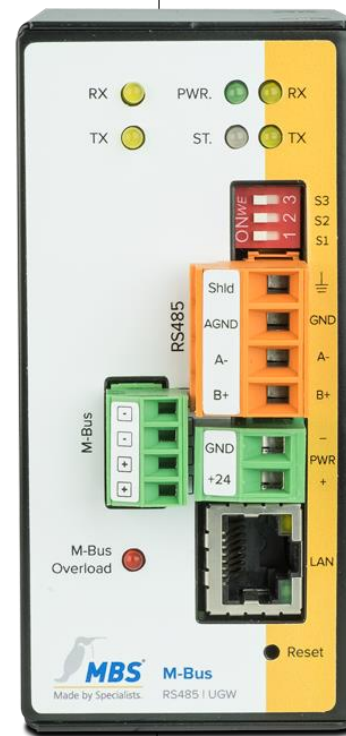
BACnet IP
IEC 60870-5-104
MODBUS IP
OPC Server DA 2.0
SNMP

FUNCTION OF MBS GATEWAYS

M-Bus for meters
(water meters, energy meters)



M-Bus Gateway



BACnet MSTP
MODBUS RTU
SAIA S-Bus (serial)
...



Multiple protocol
drivers possible

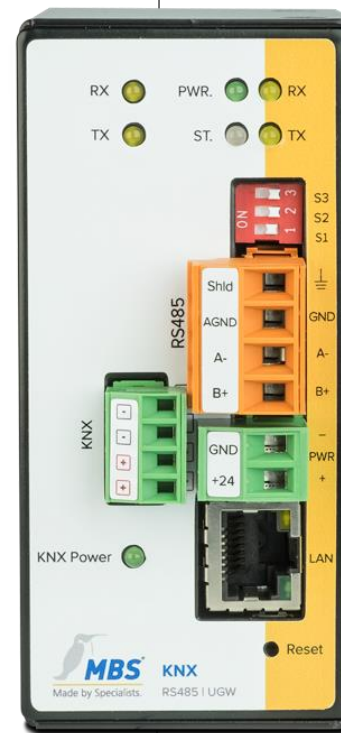
BACnet IP
IEC 60870-5-104
MODBUS IP
OPC Server DA 2.0
SNMP

FUNCTION OF MBS GATEWAYS

KNX / EIB for building automation and control



KNX Gateway



BACnet MSTP
MODBUS RTU
SAIA S-Bus (serial)
...



Multiple protocol drivers possible

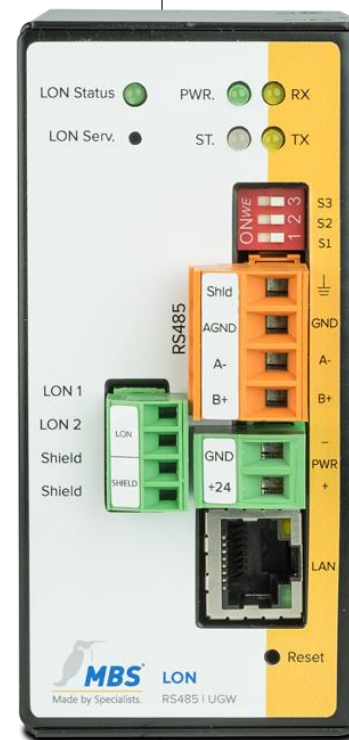
BACnet IP
IEC 60870-5-104
MODBUS IP
OPC Server DA 2.0
SNMP

FUNCTION OF MBS GATEWAYS

LON for building and heating automation



LON Gateway



BACnet MSTP
MODBUS RTU
SAIA S-Bus (serial)
...



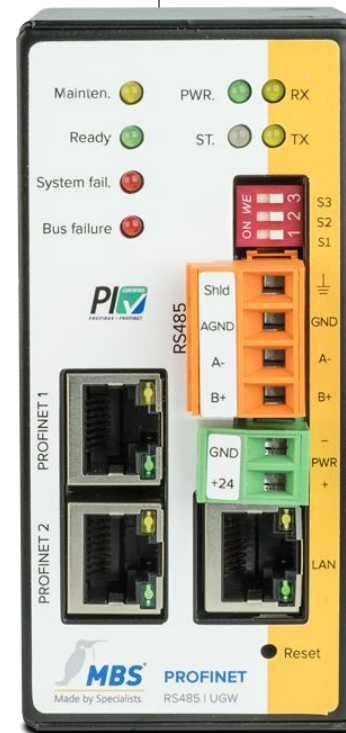
Multiple protocol drivers possible

BACnet IP
IEC 60870-5-104
MODBUS IP
OPC Server DA 2.0
SNMP

FUNCTION OF MBS GATEWAYS

PROFINET for
Industrial automation

PROFINET Gateway



BACnet MSTP
MODBUS RTU
SAIA S-Bus (serial)
...



Multiple protocol
drivers possible

BACnet IP
IEC 60870-5-104
MODBUS IP
OPC Server DA 2.0
SNMP

FUNCTION OF MBS GATEWAYS

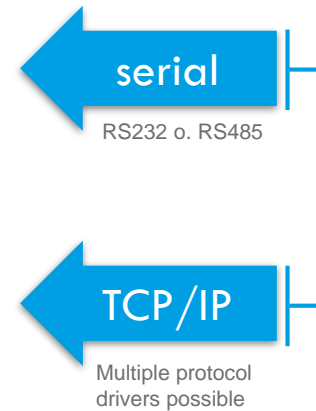
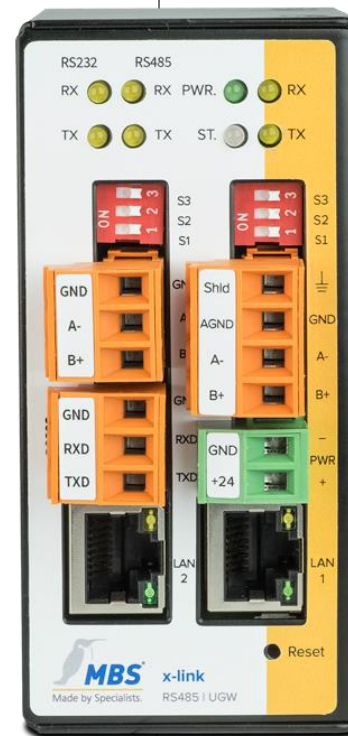
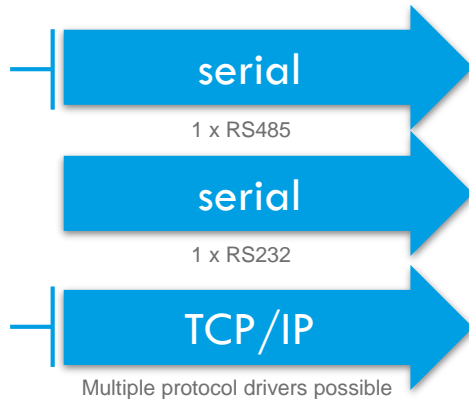
x-link Gateway

x-Link for various couplings

BACnet MSTP
 MODBUS RTU
 SAIA S-Bus (serial)

...

BACnet IP
 IEC 60870-5-104
 MODBUS IP
 OPC Server DA 2.0
 SNMP



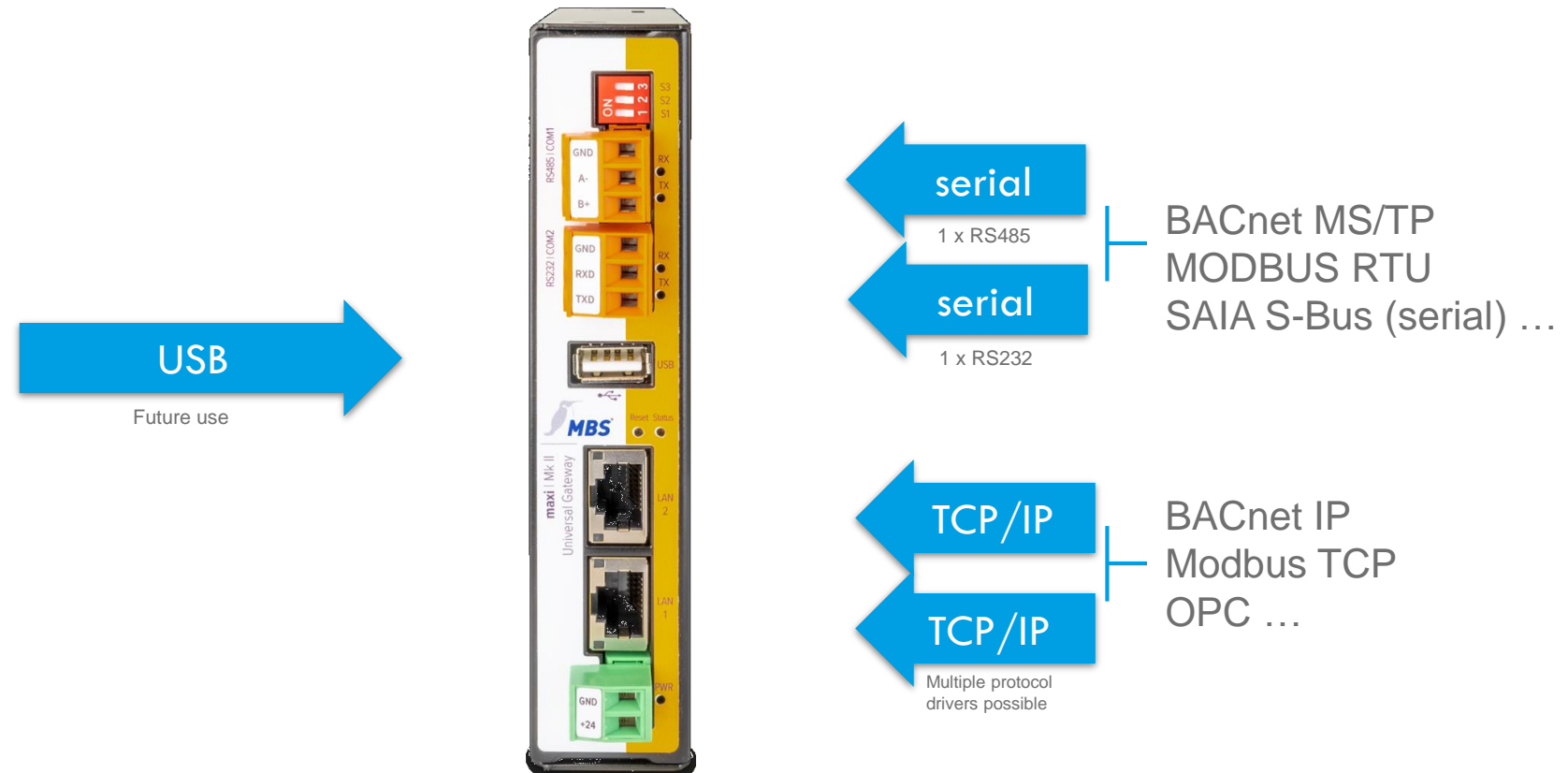
BACnet MSTP
 MODBUS RTU
 SAIA S-Bus (serial)

...

BACnet IP
 IEC 60870-5-104
 MODBUS IP
 OPC Server DA 2.0
 SNMP

FUNCTION OF MBS GATEWAYS

Maxi MK II Gateway



FUNCTION OF MBS GATEWAYS

Maxi MK II Gateway Profibus

PROFIBUS for industrial automation



Future use



1 x RS485



1 x RS232

BACnet MS/TP
MODBUS RTU
SAIA S-Bus (serial) ...



Multiple protocol drivers possible

BACnet IP
Modbus TCP
OPC ...